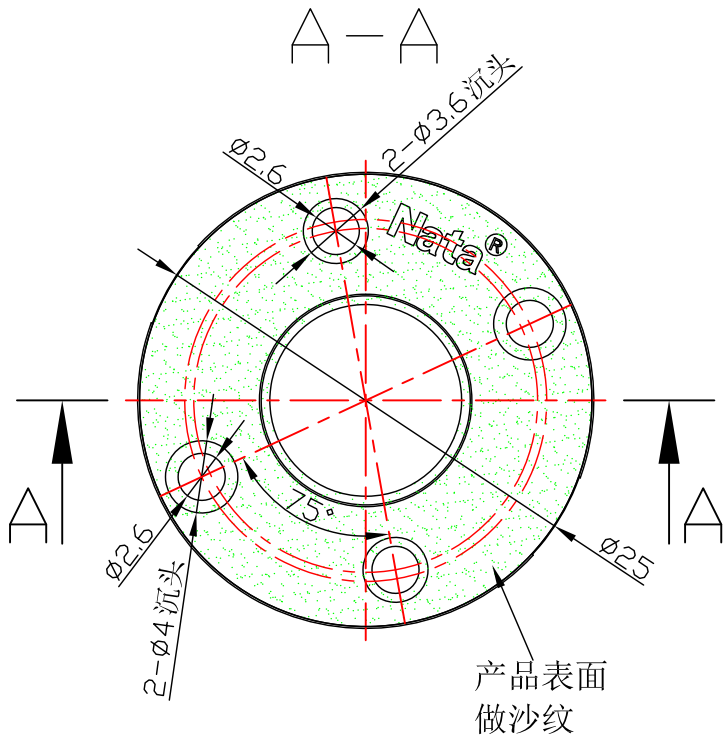
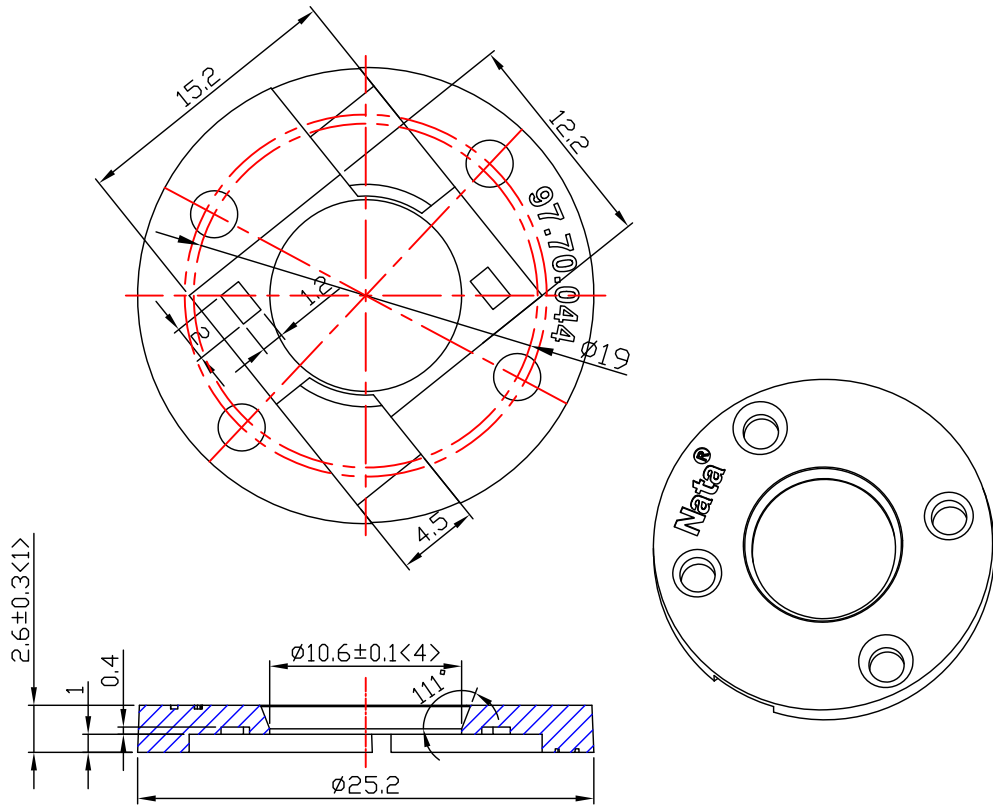


table for unmentioned tolerance in the drawing (unit: mm)					
0-5	5-30	30-120	120-250	250-400	400-700
±0.15	±0.2	±0.5	±0.8	±1.5	±2



						Material:PC		<b>Nata<sup>®</sup></b> <b>NATA Lighting Co.,Ltd</b>	
								Customer Item	
								Customer Code	NT
								Product Number	92.70.044.00
								Product Name	1202S 塑胶支架 白色 D25*H2.6
Mark	Amended Times	Amended Content			Signature	Amended Date			
Controll Version	AO	Design Version	KO	Client Version					
Designer		Drawing by		Proportion	1:1				
Technology		Auditor		View					
Approval		Date	2017.06.01	Page	Total Page				